



**CLEMCO**  
The Performance  
System

## TECHNICAL DATA SHEET

*Note: For safe, efficient blasting, read and follow the owner's manual and seek training for everyone who will use this equipment.*

### Purpose

High-performance blast cleaning system removes corrosion, mill scale, and coatings from most surfaces. Produces a uniform surface texture, and creates a surface profile to increase bonding for coatings. See related literature for additional applications. Machine holds 4 cubic feet of abrasive for up to 30 minutes of continuous blasting at 100 psi with standard No. 5 nozzle ( $\frac{5}{16}$ -inch orifice).

### Requirements for Operation

These items are required but not included with this equipment.

- Clean, dry, compressed air of sufficient volume to maintain desired pressure at the nozzle. See Air Consumption Chart in Blast Off 2 booklet.
- Maximum working pressure 150 psi
- Minimum pressure 30 psi needed to operate OSHA-required remote control valves
- NIOSH-approved supplied-air respirator
- Grade D breathing-air supply as defined by the Compressed Gas Association Commodity Specification: G-7.1 ([www.cganet.com](http://www.cganet.com))
- Blast suit and work boots
- Abrasive blast media - consult abrasive supplier for appropriate media for your application

### Description of Operation

The operator controls blasting from a remote control handle at the nozzle. Pressing the handle starts blasting, releasing it stops blasting. The blast machine contains abrasive and meters it into the compressed air stream.

## Description

Field portable, high-production, single chamber blast machine, rated at 150 psi, (for one operator). Holds 4 cubic feet of blast media. Equipped with Millennium pneumatic remote controls, Quantum manual metering valve, and CPF-20 air filter.

## 4 Cu Ft Contractor Blast Machine with CPF Filter

Stock No. 21545



### Advantages

- Rated for 150-psi working pressure
- $1\frac{1}{2}$ -inch Millennium valve provides unrestricted air flow
- Quantum metering valve maintains smooth, consistent flow; adjustment knob allows precise control of media flow
- $1\frac{1}{4}$ -inch piping allows up to 50 percent increase in air flow, when compared to 1-inch piping and hose
- 29-inch width fits through standard doorways
- CPF-20 breathing air filter, installed
- Four-wheel integral cart for ease of moving
- Robust handles act as skid for loading machine into pickup or trailer and protect valves and piping from damage
- Central hookup point for blast hose and remote controls

- Weather-resistant storage area holds manuals, paperwork and small parts

### Approvals and Certifications

Blast machine pressure vessel built to American Society of Mechanical Engineers (ASME) code for 150-psi working pressure. Vessel is hydrostatically tested and National Board certified.

Remote control system complies with OSHA regulation 1910.244 (b).

## Related Clemco Literature

Description	Stock No.
Contractor Series Catalog .....	21385
Abrasive Blasting Safety Practices .....	22090
Blast Off 2 .....	09294
Contractor Blast Machine Owner's Manual .....	21941
CPF Filter Owner's Manual .....	04143

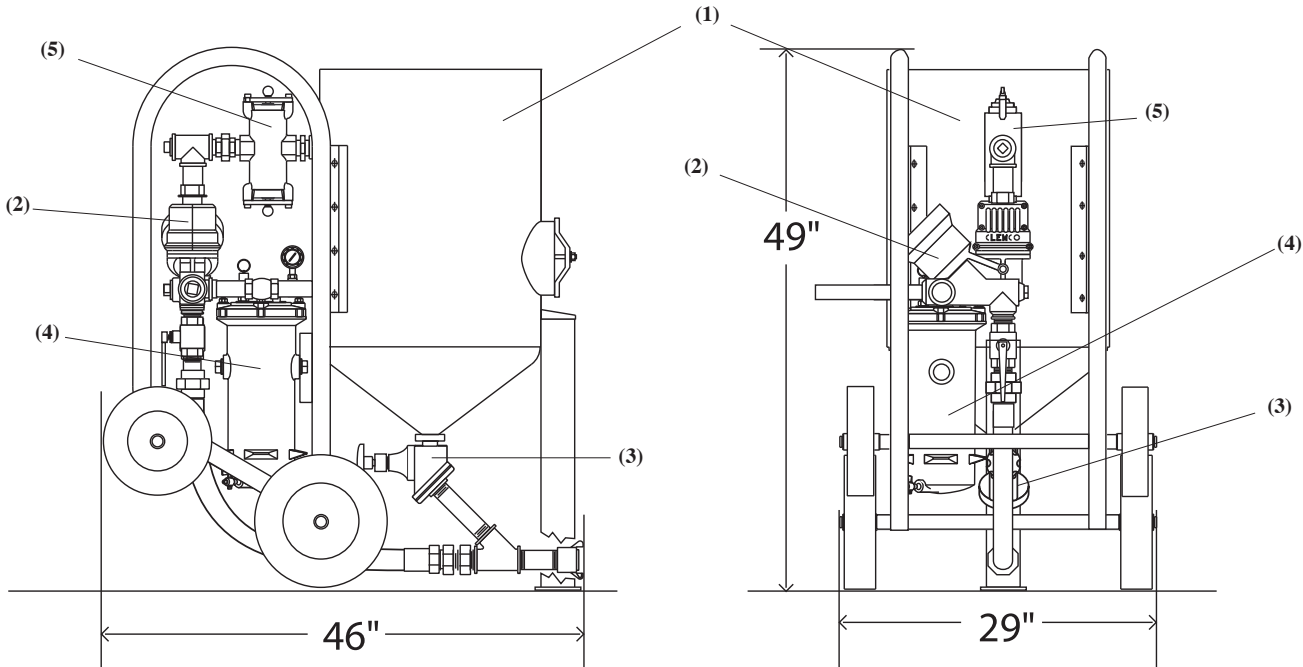
## Options & Accessories

Description	Stock No.
Blast machine cover, 20" .....	20358
Blast machine screen, 20" .....	20357
Supa blast hose, 1" x 50 ft, coupled with nozzle holder, NHP-1 and coupling, CQPS-1 .....	23480
TMP-5 nozzle .....	23521
1 1/2" air filter/moisture separator w/manual drain .....	22363
Blast hose safety cable .....	15013
Apollo 600 HP DLX respirator with Clem-Cool air conditioner and 50 ft x 3/8" of respirator hose .....	25208
Carbon monoxide alarm, CMS-3 pkg .....	24612

Heavy cotton/leather blast suit S (08920), M (08921), L (08922), XL (08923), 2XL (24201), 3XL (24202)	
Seasonal cotton/nylon blast suit S (08920), M (22914), L (22915), XL (22916), 2XL (22917), 3XL (25022), 4XL (24689)	
Leather gloves .....	02243

## Included with Stock No. 21545

Item	Description	Stock No.
1.	4 cu ft contractor blast machine .....	21505
2.	1 1/2" Millennium valve .....	21336
3.	Quantum abrasive metering valve .....	22845
4.	CPF-20 air filter w/ pressure regulator & gauge ....	03578
5.	Abrasive trap .....	02011
(-)	RLX pneumatic handle .....	10565
(-)	50 ft twinline hose .....	01951



Nominal Dimensions	Unit	Shipping (including skid)
Height (floor to highest point):	49"	54"
Width (outside hub to hub):	29"	35"
Length (hose cplg. to wheel):	50"	52"
Machine diameter:	20"	
Net weight:	401 lb	
Shipping Volume:		52.5 cu ft
Shipping Weight:		473 lb

## Packaging

Secured on skid and shrink wrapped

Authorized Distributor:

ISO 9001 certified. Clemco is committed to continuous product improvement. Specifications are subject to change without notice.

© 2014 Clemco Industries Corp. • One Cable Car Drive • Washington, MO 63090 • Phone (636) 239-4300 • Fax (800) 726-7559

Stock No. 21950

info@clemcoindustries.com • www.clemcoindustries.com

1195 Rev. D: 09/14