

CPF 20/80 Compressed Breathing-air Filters

IMPORTANT: For safe, efficient operation, read and follow the owner's manual (OM 04143) and seek training for everyone who will use this equipment.



CPF-80

CPF-20

NOTE: CPF filters do not remove CO or convert CO to CO₂, or remove other toxic gases.

OVERVIEW

Particulate filter for breathing air supplied from a compressed air source. Features pressure regulator, mounting bracket for floor or wall mounting. CPF-20 services one or two operators; CPF-80 services up to four operators. The CPF filter removes mists, including oil mists, water vapor, and particulates greater in size than 0.5 micron

REQUIREMENTS FOR OPERATION

Compressed Grade D quality breathing air as defined by the Compressed Gas Association commodity specification: G-7.1 (www.cganet.com).

DESCRIPTION OF OPERATION

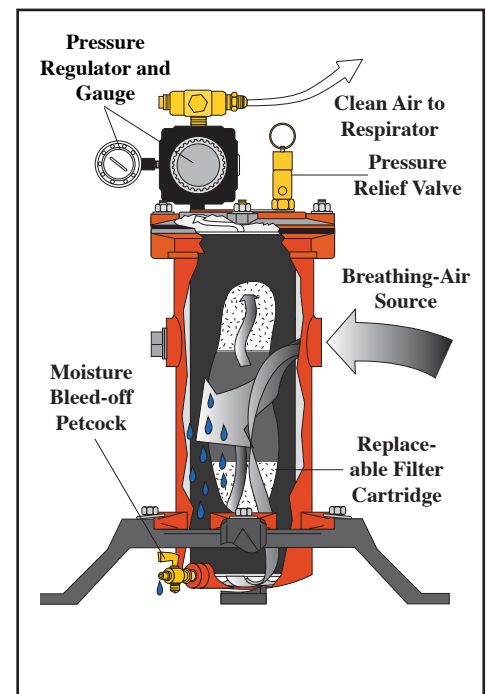
The CPF filter is placed in the breathing-air line between the breathing-air source and the respirator supply hose. The CPF is the point of attachment for the respirator hose. Air enters the filter through one of the inlet ports. Moisture is removed by expansion in the outer chamber and is drained through a petcock at the bottom of the unit. The air passes through a replaceable filter cartridge. The outlet pressure is controlled by a regulator on the cap and is measured by a gauge downstream from the cartridge.

DESIGN ADVANTAGES

- One filter serves multiple respirators CPF-20 is easily converted to CPF-80 to service additional respirators
- Polypropylene filter cartridge casing eliminates corrosion hazard
- Filter cartridge lasts up to 3 months.
- Filters can be floor or wall mounted.

APPROVALS AND CERTIFICATIONS

CPF filters comply with OSHA regulation 1910.94 (6) as a component of a total respirator system. To comply with OSHA regulation 1910.134 (d), the system must also include a NIOSH-approved supplied-air respirator and carbon monoxide (CO) monitoring and/or removal system.



Related Clemco Literature

Description	Stock No.
Abrasive Blasting Safety Practices	22090
Blast Off 2	09294
Operator Safety Equipment Product Study.....	07764
CPF-20 - CPF-80 Owner's Manual	04143

Replacement Parts

Item	Description	Stock No.
(-)	CPF-80 air filter, with regulator.....	03527
(-)	CPF-20 air filter, with regulator.....	03578
1.	Handle	03623
2.	Gasket and o-ring kit*.....	08942
3.	Pressure gauge.....	00024
4.	Cross manifold, 3/8" NPT (only on CPF 80).....	22941
5.	Plug, 3/8" NPT brass.....	03536
6.	Cap, CPF filter	03584
7.	Pressure regulator, 3/8" NPT large body (only on CPF 80)	22939
8.	Relief valve, 1/4" NPT.....	01909
9.	Stud, 1/2"-NC x 2"	03545
10.	Nipple, 3/8" NPT hex	
11.	Cartridge, CPF filter	03547
12.	Cap screw, 3/8"-NC x 1" hex head	03252
13.	Washer, 1-1/4" OD	03310
14.	Nut, 3/8"-NC	03311
15.	Petcock, 1/4".....	01993
16.	Base bracket	03557
17.	Plug, 1" NPT.....	03532
18.	Washer, 1/2" SAE flat	03515
19.	Nut, 1/2"-NC	03511
20.	Washer, 3/8" lock	03318
21.	Tee, 3/8" NPT, male branch (only on CPF 20)	22843
22.	Nipple, brass, 3/8" NPT x 2" (only on CPF 20).....	03720

* Replacement parts recommended to be held on hand.

Options and Accessories

Description	Stock No.
Carbon monoxide alarm, CMS-2	22894
In-Helmet Carbon monoxide alarm, CMS-3.....	24612

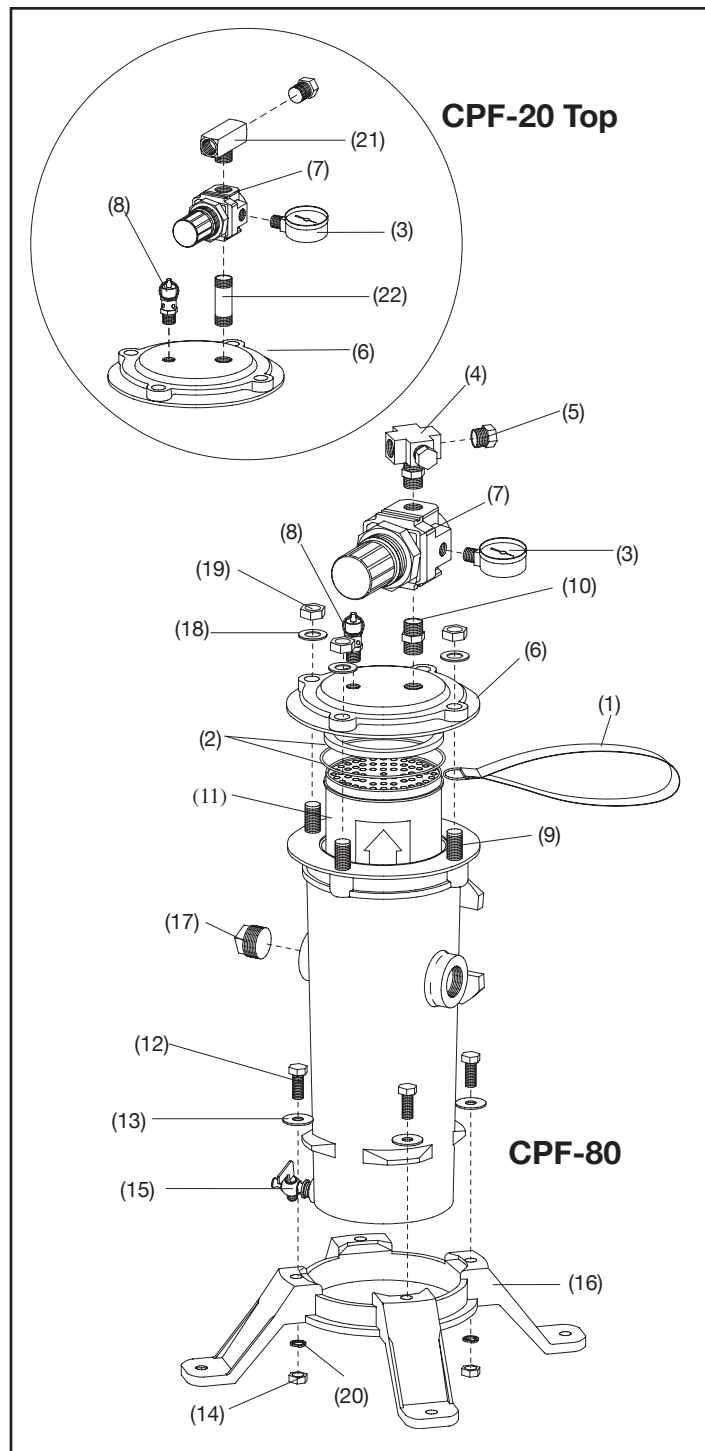
Packaging

Cardboard container with protective cushioning material

Dimensions	Unit	Shipping
Height:	20-1/2"	23-1/2"
Width (dia.):	8-3/4"	12"
Depth:	8-3/4"	9-1/2"
Weight:	18 lb	22 lb

Color

Red body with black base bracket



Authorized Distributor: