

# AEROLYTE®

By Clemco Industries Corp.

## Systems

### PRH 6060A-G2 Pressure Cabinet for Non-aggressive Media\*



**High  
Performance  
Dry Stripping**



*Model PRH 6060A-G2 with optional turntable and track assembly.*

**For dry stripping with plastic or other non-aggressive recyclable media\*, pressure blasting delivers the velocity for the impact intensity needed to clean parts without damaging the surface. Available in standard and ergonomic sit-down styles.**

#### Common Applications

- General cleaning of light metals, fiberglass, stainless steel, glass, aluminum and composites
- Deflashing plastic parts
- Paint stripping of powder coated parts, ink wells, golf balls, paint guns, racks, hooks, vehicles, ground support equipment, aircraft
- Cleaning and stripping of molds, tooling, automotive and aircraft engine components, wheels, turbines, semi-conductors, silk screen frames
- Special finishes for sculpture and artwork

\*This cabinet is not designed for use with soda media.

Bicarbonate of soda, a non-aggressive, single-use media, requires unique equipment considerations. Several Aerolyte cabinet models are available for light-duty or high-production soda blasting. Consult your local authorized Clemco distributor.

#### The Aerolyte Cabinet Features: Safety

- ✓ Full-length, neoprene-on-fabric gloves resist wear and protect operator.
- ✓ Ceiling-mounted, four-tube fluorescent light fixture with abrasive resistant wire-embedded glass cover for extraordinary visibility.
- ✓ Safety interlocks interrupt blasting if door is opened.
- ✓ Pressure relief valve, set at 65 psi, automatically opens to signal higher pressure blasting to prevent surface damage.

#### Productivity

- ✓ High efficiency, 2.0 cubic foot capacity, ASME-code pressure vessel with 60 ° conical bottom, fitted with 1" ID piping, 3/4" ID x 16 ft coupled blast hose, and integrated controls.
- ✓ Adjustable vortex on reclaimer prevents reusable media carryover to dust collector.
- ✓ Unique air logic system (pilot actuated) to maximize air flow to the nozzle.
- ✓ One set of double-wall, sound-insulated doors on one end only.
- ✓ 12-gauge steel all-welded construction, with strength breaks to form a rigid, long-lasting cabinet shell.
- ✓ Large 20" x 30" view window.

#### Convenience

- ✓ Tilt-out window, for tool-free glass changes in minutes.
- ✓ Pressure regulator, gauge, and electric switch mounted within easy reach.
- ✓ Built-in air blow-off aids monitoring part cleaning progress and removes excess media.

#### Tungsten Carbide Blast Nozzle

The TYP-5 (5/16-inch orifice) tungsten carbide nozzle is ideal for most blasting jobs.

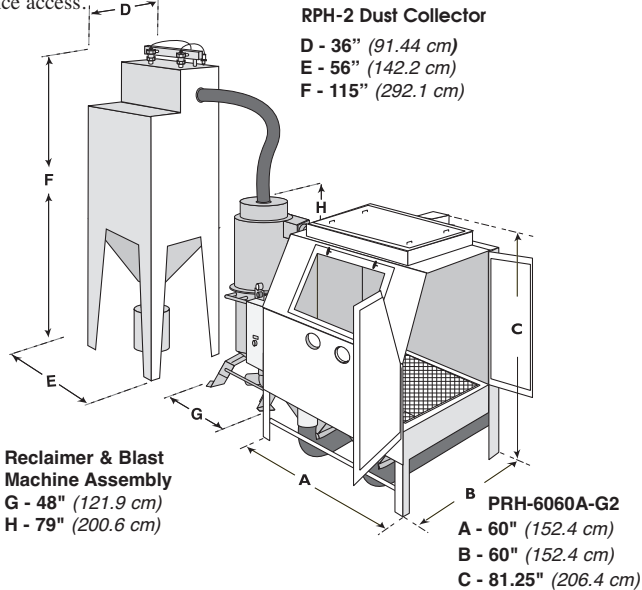
#### Popular Options

- Additional door set
- Additional operator station
- Air-powered vertical lift door
- Anti-fatigue mat
- HEPA filter
- Magnetic reclaimer screen
- Manometer kit
- Noise-reduction arm hole baffles
- Oscillator assembly
- Timed door release
- 30" and 40" Dia. Turntables
- 30" turntable and 9 ft track extension with 500# capacity
- Workstation armrest

# S P E C I F I C A T I O N S

## COMPLETE SYSTEM

Actual space required depends on equipment configurations, options and desired work flow. Allow additional work space for operator and maintenance access.

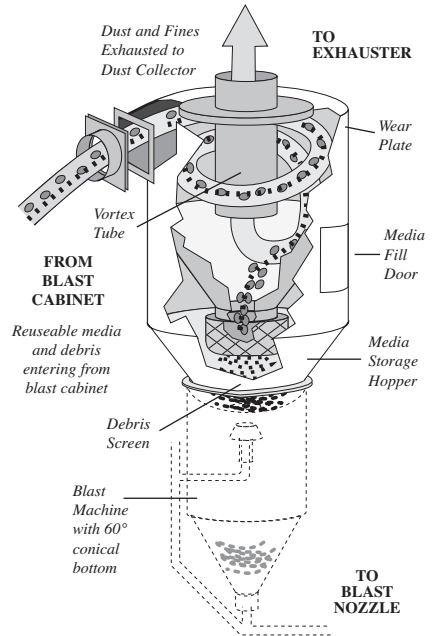


Model illustrated: PRH 6060A-G2 with RPH-2 dust collector

## BLAST/ RECLAIM SYSTEM

Our exclusive media reclaimers continuously extract dust and debris and return usable media to the blast system.

The reclaimer, mounted atop the pressure vessel, automatically refills the blast system with clean, recycled media.

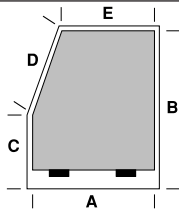


## CABINET

### Working Chamber Size

PRH 6060A	58" wide (147.3 cm)
	58.5" deep (148.6 cm)
	53" high (134.6 cm)

### Door Opening



#### PRH6060A-G2

A	55.5" (140.9 cm)
B	52.5" (133.3 cm)
C	27" (68.58 cm)
D	27" (68.58 cm)
E	46" (116.8 cm)

### Window Size (safety glass)

30" wide (76.2 cm)
20" high (50.8 cm)

## RPH DUST COLLECTOR

The RPH-2 has two cartridges which provide 470 sq ft of filter area plus a built-in hopper to minimize dust-handling. Reverse pulse dust collectors (which trap 99.7% of dust down to 0.5 micron) allow non-stop, high-production blasting. At each pulse, dust falls first into the hopper and then into a disposal drum or bag beneath it. The operator never handles the dust—an important safety feature. RPH dust collector dimensions are: 36" wide (with motor housing) by 36" deep by 115" high. The RPH is designed to allow outdoor installation.

## NOZZLES

### AIR REQUIREMENTS

NOZZLE	NOZZLE ORIFICE	CFM at 50 PSI	M <sup>3</sup> /Min at 3,5 BAR
No. 4	1/4"	47	1,31
No. 5	5/16"	77	2,16*
No. 6	3/8"	108	3,0

\* PRH 6060A-G2 is furnished with a TYP-5 tungsten carbide nozzle.

## ELECTRICAL

900 CFM (25 m<sup>3</sup>/m) 2HP, 230/460V, 3PH, 60HZ. Other motors and electrical configurations (such as 50HZ) are available to make your system compatible with local power systems. Consult your local distributor.

## ORDERING INFORMATION

Model Number	Reclaim CFM (m <sup>3</sup> /m)	Dust Collector	Stock No.	Ship Wt. lb (kg)
PRH 6060A-G2-900 RPH	900 (25)	RPH-2	25491	3,424 (1556)
Optional 30" turntable/work car & track, (500 # capacity)			12524	500 (227)

Distributor:

ISO 9001 certified. Clemco is committed to continuous product improvement. Specifications are subject to change without notice.

© 2014 Clemco Industries Corp. • Washington, MO 63090 • 636 239-4300 • FAX 800 726-7559